

ULTRA MINIATURE CERAMIC PACKAGE HIGH STABILITY SMD CRYSTAL

ABM3X



5.0 x 3.2 x 0.9mm

ABM3X



**RoHS
Compliant**

FEATURES:

- -40°C to +125°C wide operating temperature range
- ±40 ppm Max. All Inclusive frequency stability over 10-year product life
- Fundamental Mode, low ESR Quartz design
- Ultra miniature, Seam-Sealed, RoHS compliant reflow-able package

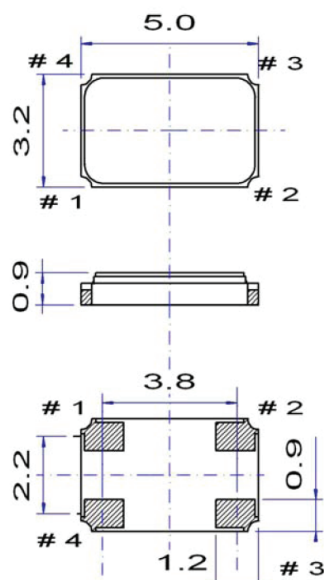
APPLICATIONS:

- Zigbee based designs for indoor / outdoor applications
- Wireless Sensor Networks
- Industrial Control
- Home and Building Automation
- Consumer Electronics
- PC Peripherals

STANDARD SPECIFICATIONS

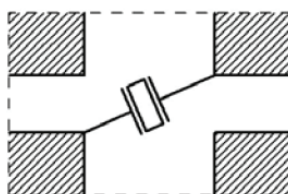
Parameters	Minimum	Typical	Maximum	Units	Notes
Center Frequency	----	24.000 32.000	----	MHz	
Operation Mode	Fundamental				
Operating Temperature	-40	----	+125	°C	
Storage Temperature	-55	----	+155	°C	
Overall Frequency Stability (All inclusive)	-40	----	+40	ppm	
Frequency Tolerance	-10	----	+10	ppm	
Frequency Stability over the Operating Temperature Range (ref. to +25°C)	-25	----	+25	ppm	
Aging	-5	----	+5	ppm	@25±3°C 10 years
Equivalent series resistance (R1)	----	----	30	Ω	
Shunt capacitance (C0)	----	----	3.5	pF	
Motional capacitance (C1)	----	4.5	----	fF	
Load capacitance (CL)	----	10	----	pF	
Drive Level	50	----	100	μW	
Insulation Resistance	500	----	----	MΩ	@100Vdc±15V

OUTLINE DIMENSIONS:



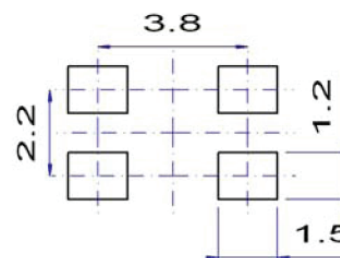
Pin function

- # 1 crystal connection
- # 2 GND
- # 3 crystal connection
- # 4 GND



Do not design any conductive path between the pattern

Example for solder pattern



Dimensions: mm



ULTRA MINIATURE CERAMIC PACKAGE HIGH STABILITY SMD CRYSTAL

ABM3X



5.0 x 3.2 x 0.9mm

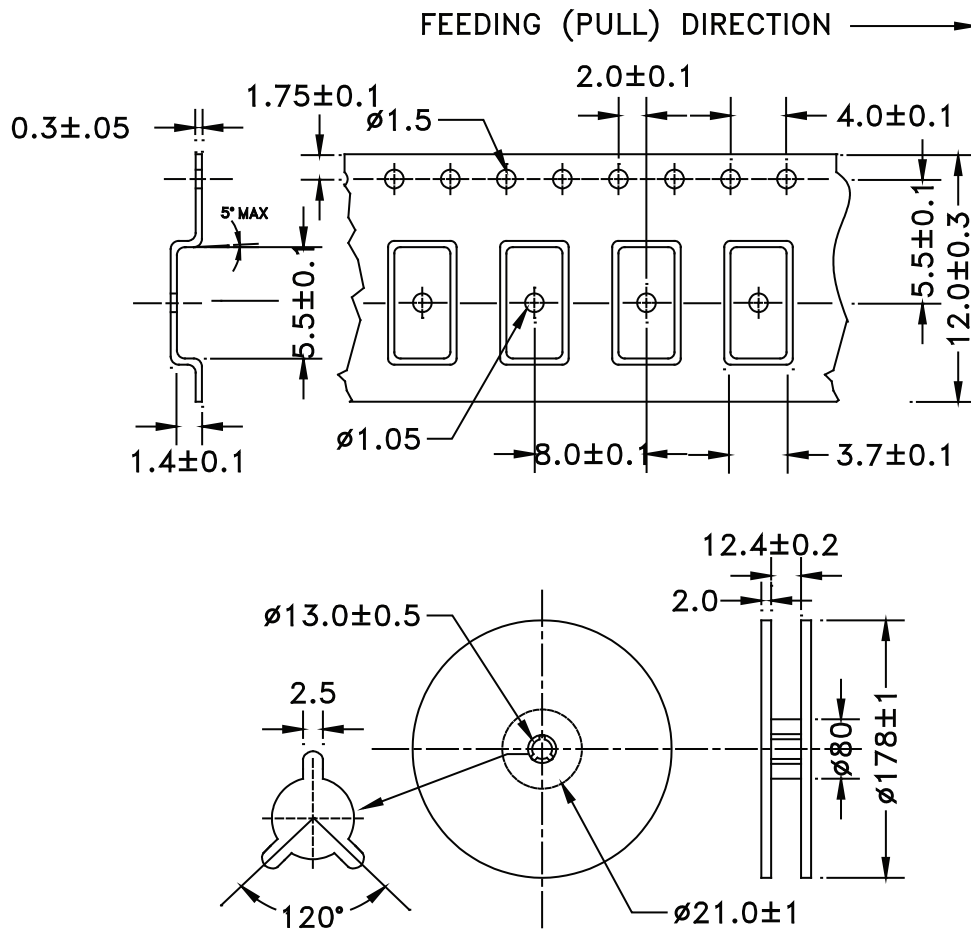
ABM3X



RoHS
Compliant

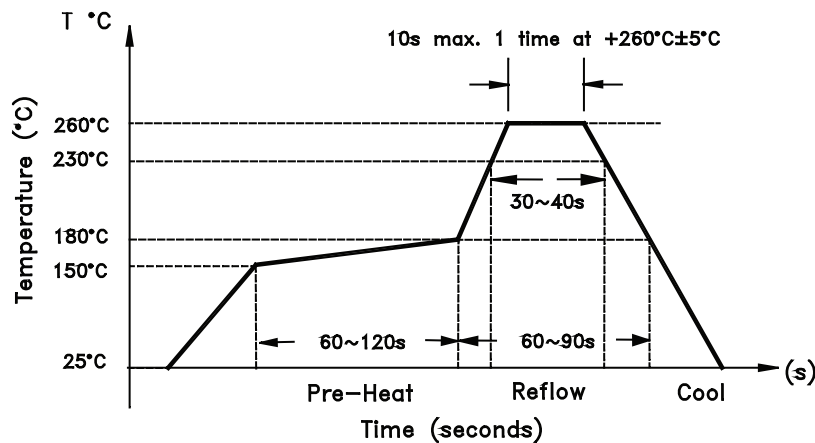
TAPE & REEL:

1000pcs/reel



Dimensions: mm

REFLOW PROFILE:



Need a test socket for the ABM3X Series? To view compatible **PRECISION TEST & BURN-IN SOCKETS** for these parts, [click here. P/N AXS-5032-04-07](#)

ATTENTION: Abracon Corporation's products are COTS – Commercial-Off-The-Shelf products; suitable for Commercial, Industrial and, where designated, Automotive Applications. Abracon's products are not specifically designed for Military, Aviation, Aerospace, Life-dependant Medical applications or any application requiring high reliability where component failure could result in loss of life and/or property. For applications requiring high reliability and/or presenting an extreme operating environment, written consent and authorization from Abracon Corporation is required. Please contact Abracon Corporation for more information.

ABRACON IS
ISO9001:2008
CERTIFIED



Visit www.abracon.com for Terms & Conditions of Sale **Revised: 03.30.11**
30332 Esperanza, Rancho Santa Margarita, California 92688
tel 949-546-8000 | fax 949-546-8001 | www.abracon.com