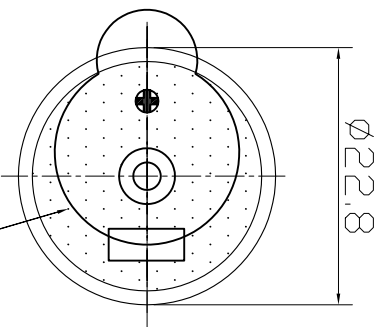
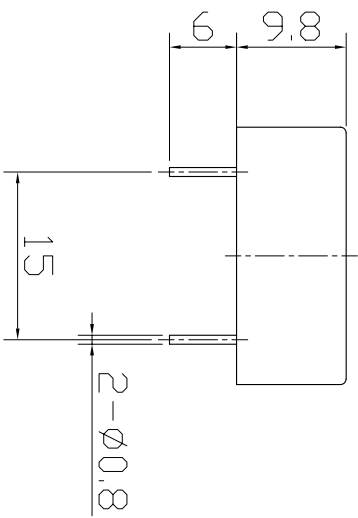


SPECIFICATION

- 1. Rated Voltage 12 VDC
- 2. Operating Voltage 3~24VDC
- 3. Max. Rated Current 10mA at 12VDC
- 4. Resonant Frequency 3.5±0.5KHz
- 5. Min. Sound Pressure Level..... 85dB at 12VDC/30cm
- 6. Tone Nature Continuous
- 7. Case Material PC
- 8. Operating Temperature -20~+70°C
- 9. Store Temperature -30~+80°C
- 10. Weight 4g

CBGG2435BP-1



Wish Label

Compliance with ROHS			
KEPO NINGBO KEPO ELECTRONIC CO.,LTD http://www.chinaacoustic.com			
Piezo Buzzer QUARTZ-1 LTD		CBGG2435BP-1-1921	
No.	DESCRIPTION	APPROVED	DATE
TOLERANCES UNLESS NOTED OTHERWISE		APPROVALS	DATE
XXX ±	DRAWN		
XX ±	CHECKED	水成峰	
90° ANGLE 4:1	APPROVED	梁树棠	10.06.10
FIRST ANGLE PROJECTION			
UNIT	DWG NO.	OEM1921R	
mm		SCALE	SHEET
NOT TO SCALE		VER	1.0