

# CFPX-5 Crystals

ISSUE 4; 27 SEPTEMBER 2004

### Delivery Options

- Please contact our sales office for current leadtimes

### Holder Style

- CFPX-5 surface mount crystals are encapsulated in a ceramic package with an epoxy sealed ceramic lid

### General Specifications

- Load Capacitance (C<sub>L</sub>): 16pF standard
- Drive Level: 100µW max
- Ageing ±5ppm max per year @ 25°C

### Operating Temperature Range

- -10 to 60°C

### Storage Temperature Range

- -30 to 85°C

### Solder Condition

- For typical soldering conditions, please see the relevant page in Application Notes

### Packaging

- CFPX-5 surface mount crystals are available packaged individually or on tape and reel

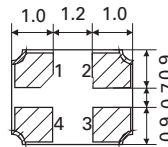
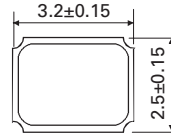
### Marking

- Frequency only

### Minimum Order Information Required

- Frequency + Holder + Frequency Tolerance @ 25°C + Frequency Stability + Operating Temperature Range + Circuit Condition + Overtone Order

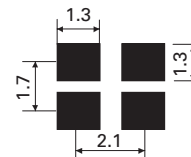
### Outline in mm



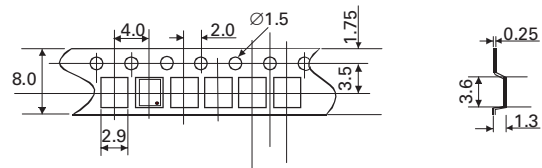
### Pad Connections

1. Crystal
2. N/C
3. Crystal
4. N/C

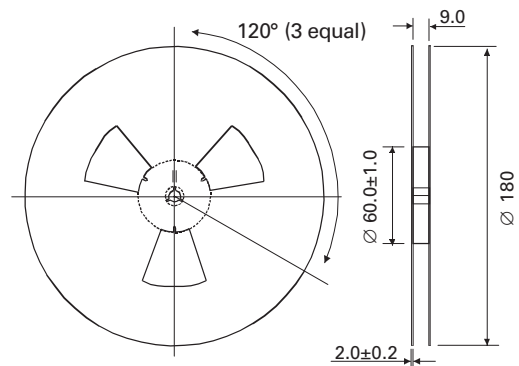
### Solder pad layout



### Outline in mm - Tape



### Outline in mm - Reel





**Electrical Specification - maximum limiting values**

Frequency Range	Frequency Tolerance @ 25°C ±2°C	Operating Temperature Range	Frequency Stability Over Operating Temperature Range	ESR max	Vibration Mode
13.0 to <16.0MHz	±50ppm	-10 to 60°C	±50ppm	150Ω	Fundamental AT Cut
16.0 to 50.0MHz				90Ω	

SURFACE MOUNT QUARTZ CRYSTALS

**Note. For any other frequencies / specification combinations, please contact our sales office.**