

Product: SPEAKER

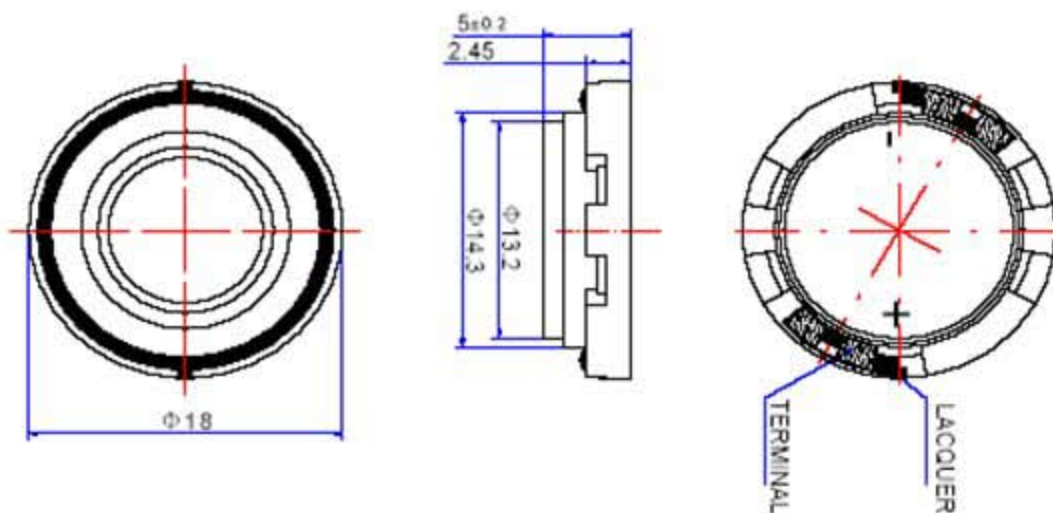
Application: Communication Products



Model No

KP1850SP1F500

Impedance	8Ω±15%(1Vrms at 1KHz)
Sound Pressure Level	83dB±3dB(0.1W/0.1M- at 0.8k,1k,1.2k,1.5kHz AVE)
Resonance Frequency	550Hz± 20%
Frequency Range	Fo ~16KHz
Input Power	Rated 1W/Max.1.5W
Distortion	<5% Max. at 1kHz/2Vrms
Out-Diameter	18mm
Height	5mm
Weight	3.5g
Operating Temperature range	-20~+60°C without loss of function
Store Temperature range	-30~+70°C without loss of function
Buss and Rattle	Should not be audible buzzes, rattles when the 2.83V sine wave signal swept at frequency range
Polarity	When supplied plus D.C. voltage to (+) terminal, the cone diaphragm must move to forward.



UNIT : mm
Tolerance : ±0.2