

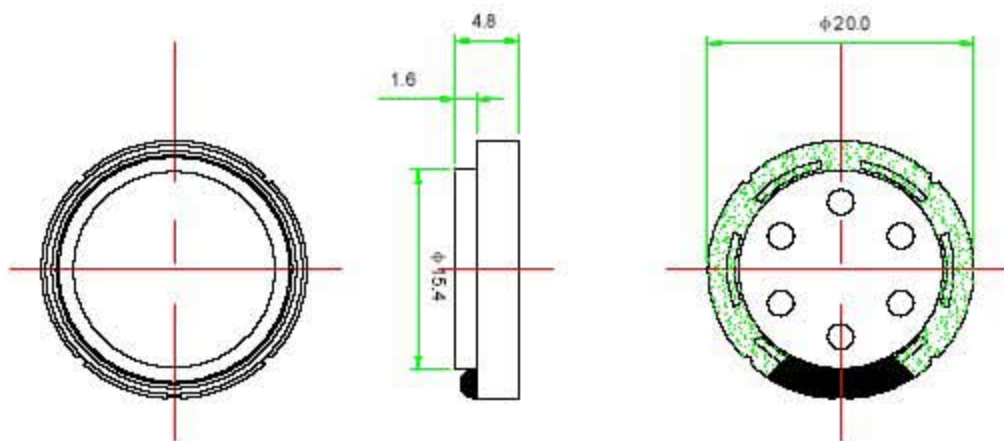
**Product: SPEAKER**

**Application: Communication Products**

**Type: Vibration**



<b>Model No</b>	<b>KP20DM01F800</b>
Impedance	8Ω ± 15% (at 1Vrms, 1.5kHz)
Sound Pressure Level	90dB ± 3dB (1kHz/0.1W/0.1M)
Resonance Frequency	800Hz ± 20%
Frequency Range	F0 ~ 20kHz
Input Power	Rated 0.5W / Max. 0.8W
Out-Diameter	20mm
Height	4.8mm
Weight	4.2 gr.
Operating Temperature range	-20~+70°C without loss of function
Store Temperature range	-40~+85°C without loss of function
Buzz and Rattle	Should not be audible buzzes, rattles when the 0.3W sine wave signal swept at frequency range.
Polarity	When supplied plus D.C. voltage to (+) terminal, the cone diaphragm must move to forward.
Vibration Resonance Frequency	160Hz ± 5%
Vibration Level for 100g block	134dBrms re 1x10 <sup>-6</sup> m.s <sup>-2</sup> minimum, 12dBVrms, 160Hz, 25 °C 128dB rms re 1x10 <sup>-6</sup> m.s <sup>-2</sup> minimum, 12dBVrms, 160Hz, 25 °C
Level Response	A plot of vibration level versus input voltage level shall be provided for the rang(-26dBV to -6dBV) for the test block masses 100g at 160Hz



UNIT : mm  
Tolerance : ± 0.2