

SPECIFICATION

受 控

Customer : QUARTZ-1

Applied To :

Product Name : Speaker




Model Name : KP45X40SP1F-5298

Drawing No. : KFC5298

Signature of Appronal

--

Signature of KEPO

Approved by	Checkde by	Issued by	Date
			



宁波凯普电子有限公司

Ningbo Kepo Electronics Co.,Ltd.

宁波东钱湖镇东钱湖工业区宝源路 25 号

TEL:+86-574-88370330 FAX:+86-574-88370329

No.25 Baoyuan road Dongqian Lake, Industry Area, Dongqian town, Ningbo City, China(Post Code:315121)

Sales@chinaacoustic.com www.chinaacoustic.com

Specification for Speaker	Page	2/9
	Revision No.	1.0
	Drawing No.	KFC5298
Model No. : KP45X40SP1F-5298		

CONTENTS

1. Scope
2. General
3. Electrical and Acoustic Characteristics.
4. Reliability Test
5. Measurement Block Diagram & Response curve
6. Structure
7. Dimensions
8. Packing
9. Revision

Specification for Speaker

Page

3/9

Model No. : KP45X40SP1F-5298

Revision No.

1.0

Drawing No.

KFC5298

1. Scope

This specification is applied to the dynamic speaker which is used all of the electrical acoustic product.

-- compact, rich sound

-- applications: mobile phone, PDA, notebook computer, etc. ...

2. General

2.1 Out-Diameter : 45X40 mm

2.2 Height : 16.4 mm

2.3 Weight : 8.5 g

2.4 Operating Temperature range:

-20 ~+60 °C without loss of function

2.5 Store Temperature range:

-30 ~+75 °C without loss of function

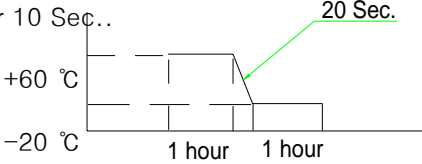
3. Electrical and Acoustic Characteristics.

Test condition : 15 ~ 35 °C, 25% ~ 85% RH, 860~1060 mbar

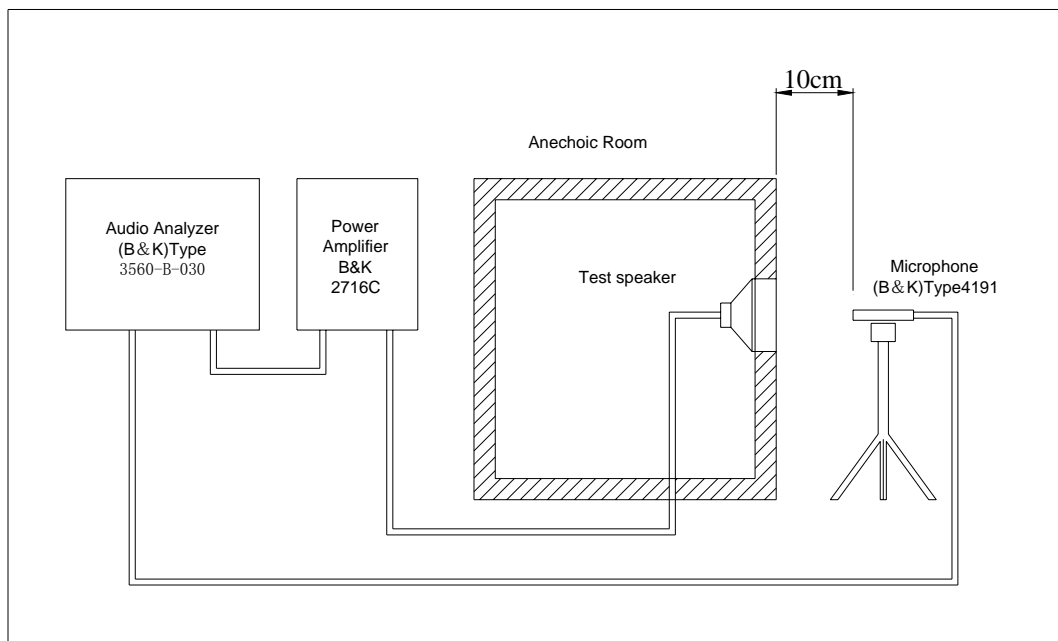
No	Items	Specification
1	Impedance	8 Ω ± 15% (1Vrms at 1KHz)
2	Sound Pressure Level	89 dB ± 3dB (0.1w/0.1m at average 0.5,0.6,0.8,1.0KHz)
3	Resonance Frequency	350 Hz ± 20%
4	Frequency Range	Fo ~6KHz
5	Input Power	Rated 0.25 W / Max. 0.3 W
6	Distortion	10% Max. at 1kHz 0.25W
7	Buzz and Rattle	Should not be audible buzzes,rattles when the 1.41V sine wave signal swept at frequency range.
8	Polarity	When supplied plus D.C. voltage to (+) terminal, the cone diaphragm must move to forward.

4. Reliability Test

After test(1~7item), the speaker S.P.L . difference shall be within $\pm 3\text{dB}$, and the appearance not exist any change to be harmful to normal operation (e.g. cracks,rusts,damages and especially distortion).

No	Items	Specification
1	High Temperature Test	After being placed in a chamber with $+75 \pm 3 \text{ }^\circ\text{C}$ for 96 hours and then being placed in natural condition for 1 hour, speaker shall be measured.
2	Low Temperature Test	After being placed in a chamber with $-30 \pm 3 \text{ }^\circ\text{C}$ for 96 hours and then being placed in natural condition for 1 hour, speaker shall be measured.
3	Humidity Test	After being placed in a chamber with 85 to 90%R.H. at $+40 \pm 2 \text{ }^\circ\text{C}$ for 96 hours and then being placed in natural condition for 1 hour, speaker shall be measured.
4	Thermal Shock Test	<p>After being placed in a chamber at $+60 \text{ }^\circ\text{C}$ for 1 hour, then speaker shall be placed in a chamber at $-20 \text{ }^\circ\text{C}$ for 1 hour(1 cycle is the below diagram).</p> <p>After 4 above cycles, speaker shall be measured after being placed in natural condition for 10 Sec..</p>  <p style="text-align: center;"> $+60 \text{ }^\circ\text{C}$ $-20 \text{ }^\circ\text{C}$ 1 hour 1 hour 20 Sec. </p>
5	Vibration Test	After being applied vibration of amplitude of 1.5mm with 10 to 55Hz band of vibration frequency to each of 3 perpendicular directions for 1 hour, then placed in natural condition for 1 hour, speaker shall be measured.
6	Drop Test	The speaker when mounted in the jig which weight 85g~100g, shall with stand 15 times random drops from a height of 1.5 meter to a concrete floor faced with 5mm thick hard wood board.and be nothing mechanical damage.
7	Load test	After being applied loading white noise with input power 0.25W(1.41Vrms.) for 96 hours, then placed in natural condition for 1 hour, speaker shall be measured.
8	Insulation test	When they are measured with DC 100V the insulation resistance between v.c. terminal and frame must be more than $1 \text{ M}\Omega$

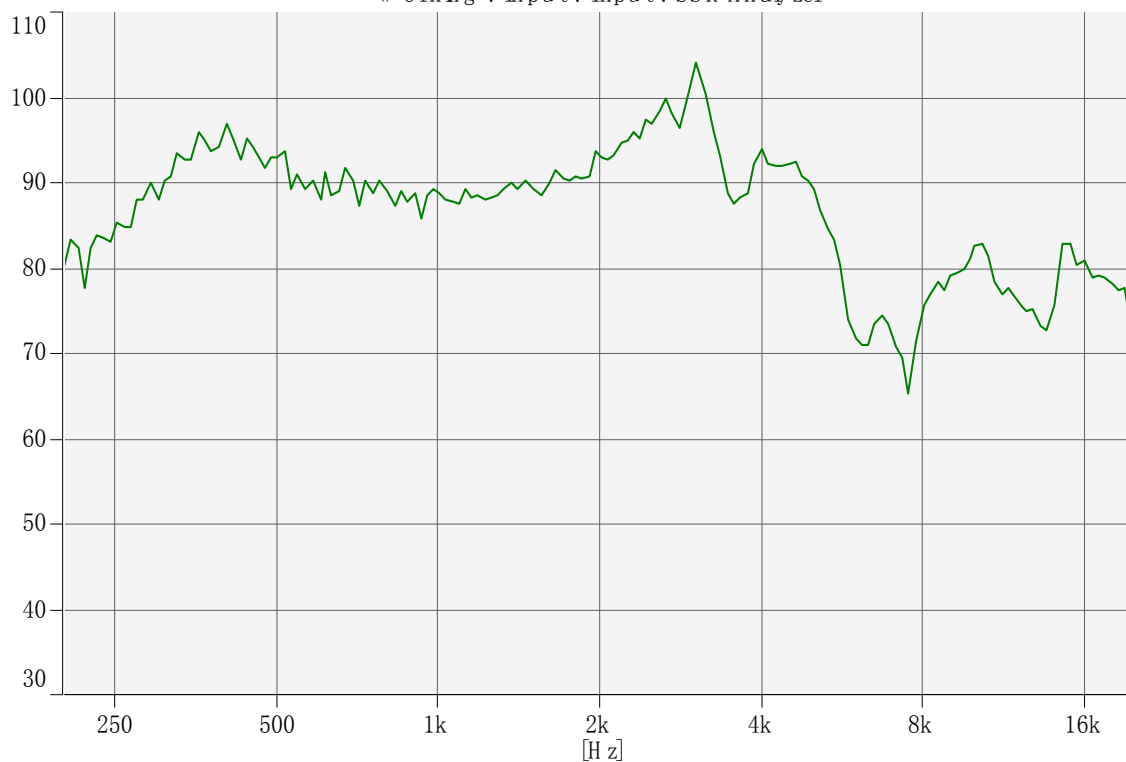
5. Measurement Block Diagram & Response curve



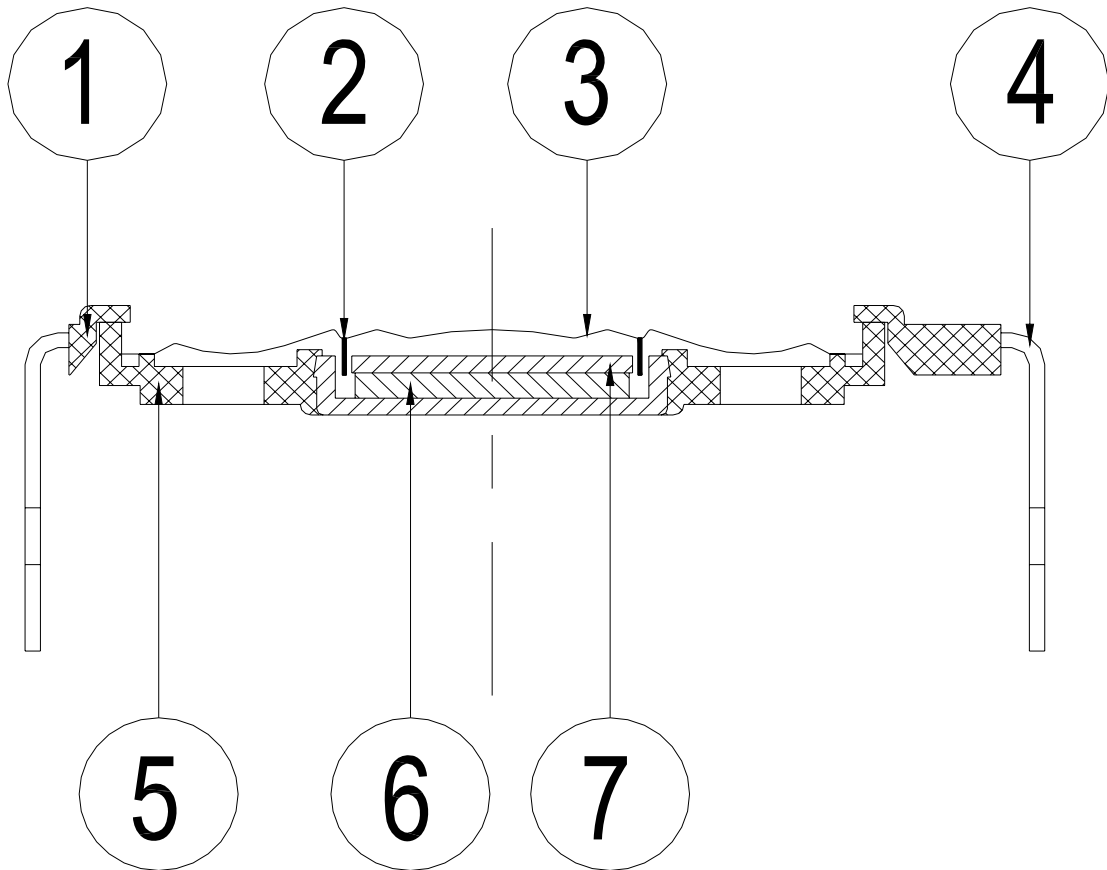
[dB/20.0u Pa]

Output Response (Signal1) - Input (Magnitude)

Working : Input : Input : SSR Analyzer



6. Structure



7	Plate	1	SPCC	
6	Magnet	1	Nd-Fe-B	
5	Frame	1	ABS+SPCC	
4	Spring	1	Copper	
3	Diaphragm	1	PET	
2	Voice Coil	1	Copper	
1	Frame	1	ABS	
No.	Part Name	Q'ty	Material	Remarks

Specification for Speaker

Page

7/9

Model No. : KP45X40SP1F-5298

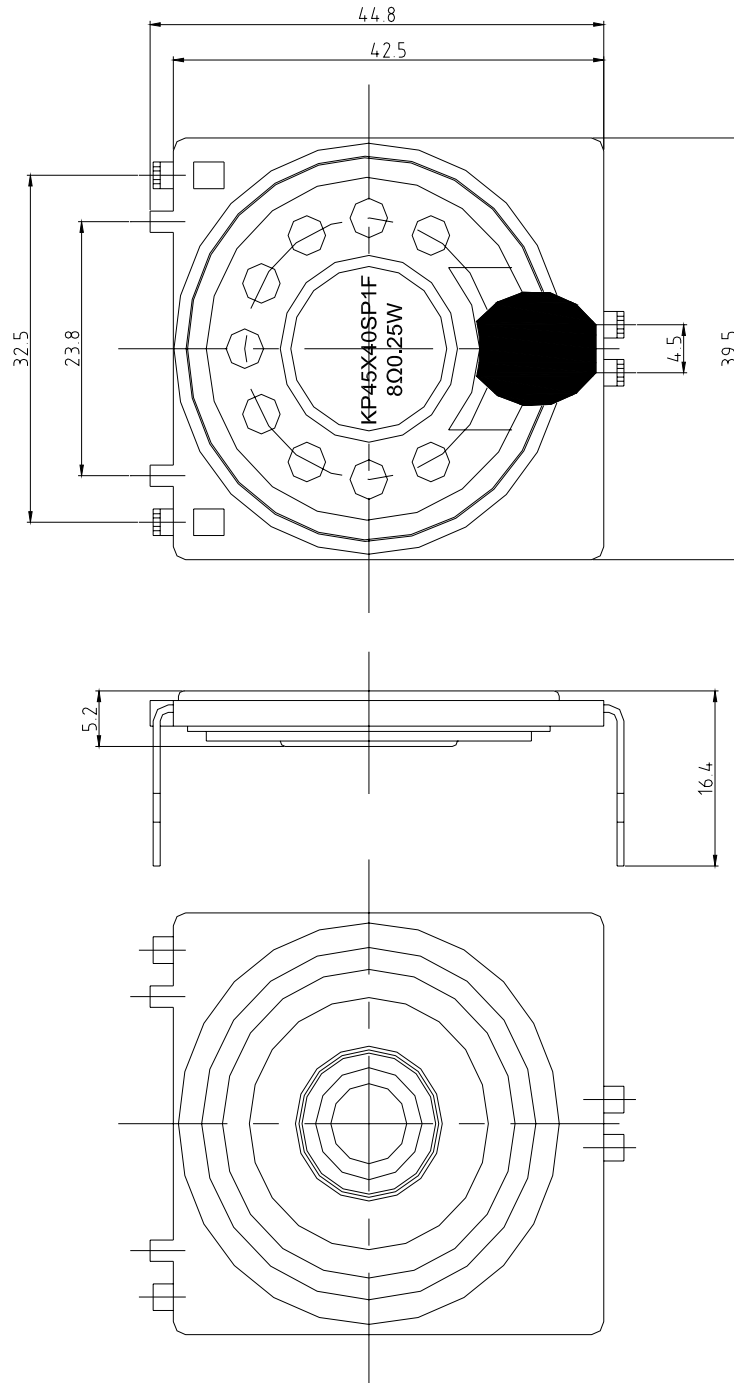
Revision No.

1.0

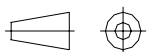
Drawing No.

KFC5298

7. Dimensions



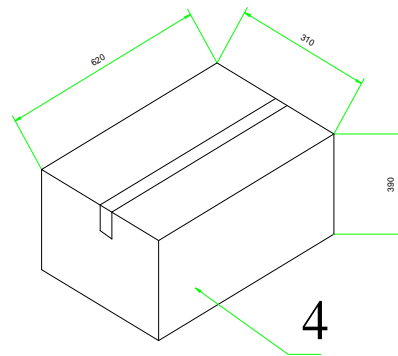
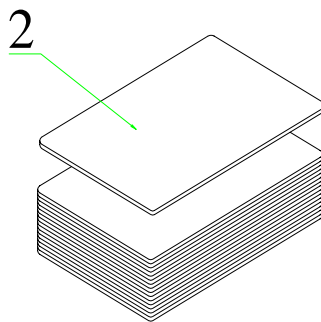
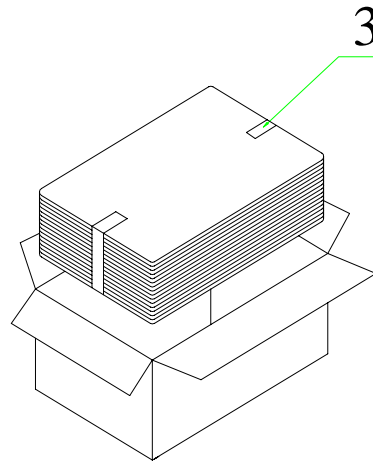
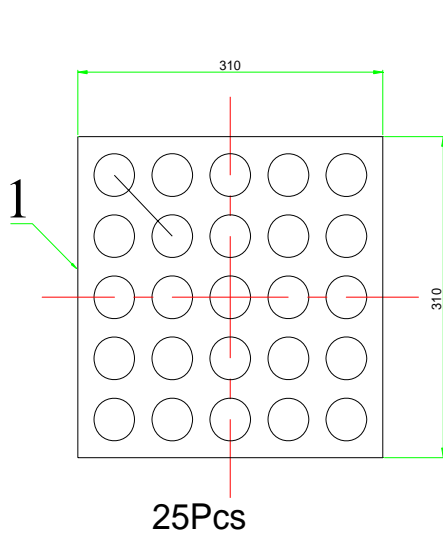
FIRST ANGLE PROJECTION



UNIT : mm

Tolerance : ± 0.2

8. Packing



QTY: 500Pcs
620x310x390

