

## Product: Piezo Buzzer

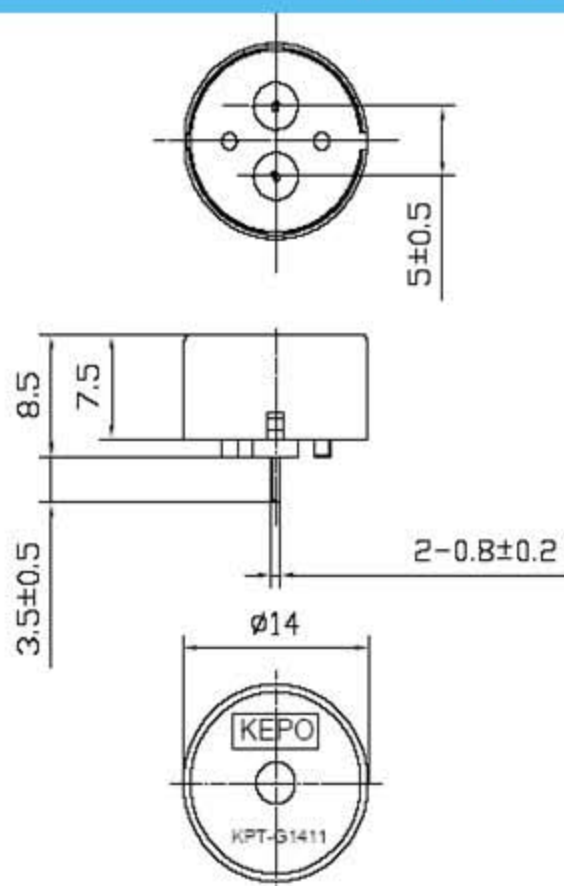
Application: Home appliance, Industrial control



### Model No

**KPT-G1411**

Maximum input Voltage	30Vp-p Square Wave /max.
Operating Temperature Range	-20 ~ +70℃
Storage Temperature Range	-30 ~ +80℃
Sound Pressure Level	MIN.80dB at 4.0KHz/12Vp-p Square Wave/10cm
Resonant Frequency	4.0± 0.5KHz
Out-Diameter	14mm
Height	7.5mm
Weight	1.5 gr.
Case Material/Color	PBT+15 % glass fiber/Black



UNIT : mm  
Tolerance : ±0.5