

1

2

3

4

5

6

7

8

A

A

B

B

C

C

D

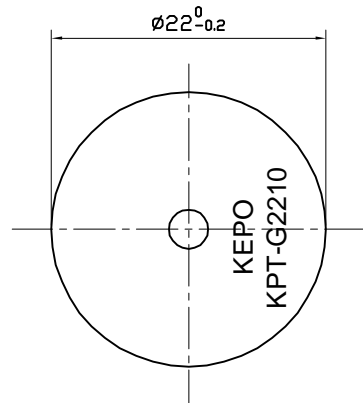
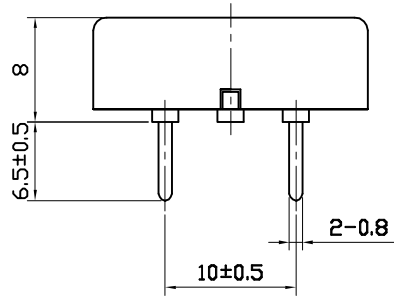
D

E

E

F

F



SPECIFICATION

- 1. Rated Voltage12Vp-p Square Wave
- 2. Operating Voltage30Vp-p Square Wave
- 3. Max. Rated Current3mA at 4.0KHz/12Vp-p Square Wave
- 4. Min. Sound Pressure Level.....88dB at 4.0KHz/12Vp-p Square Wave/10cm
- 5. Capacitance at 120Hz14000pF±30%
- 6. Resonant Frequency4.0±0.5KHz.
- 7. Case Material.....PA
- 8. Operating Temperature-20~+80℃.
- 9. Store Temperature-30~+100℃ .
- 10. Weight2.5g.

				KEPO NINGBO KEPO ELECTRONIC CO.,LTD http://www.chinaacoustic.com	
No.		DESCRIPTION	APPROVED	DATE	Piezo Transducer KPT-G2210(印字1)
TOLERANCES UNLESS NOTED OTHERWISE X * .XX * .XXX * 90° FORMED +2° ANGLES -1°		APPROVALS	DATE		
FIRST ANGLE PROJECTION 		DRAWN			UNIT
		CHECKED			mm
		APPROVED		07.02.08	DWG NO. KP3.840.209.03R
					SCALE NOT TO SCALE
					SHEET
					VER 1.0

1

2

3

4

5

6

7

8