

SPECIFICATION

Customer :

Applied To :

Product Name : Piezo Transducer

Model Name : KPT-G2210B(印字)

Drawing No. : KP3.840.278.01R

Compliance with ROHS

Signature of Approval

--

Signature of KEPO

Approved by	Checked by	Issued by	Date

宁波凯普电子有限公司

Ningbo Kepo Electronics Co.,Ltd.



宁波东钱湖镇东钱湖工业区宝源路 25 号

TEL:+86-574-88370330 FAX:+86-574-88370329

No.25 Baoyuan road Dongqian Lake, Industry Area, Dongqian town, Ningbo City,
China(Post Code:315121)

Sales@chinaacoustic.com www.chinaacoustic.com

Specification for Transducer	Page	2/10
Model No. : KPT-G2210B(印字)	Revision No.	1.0
	Drawing No.	KP3.840.278.01R

CONTENTS

1. Scope
范围
2. General
概要
3. Electrical and Acoustic Characteristics.
电声参数
4. Reliability Test
可靠性试验
5. Measurement Block Diagram & Response curve
测试图和曲线图
6. Structure
结构
7. Dimensions
尺寸
8. Packing
包装
9. Revision
履历表

Specification for Transducer	Page	3/10
	Revision No.	1.0
	Drawing No.	KP3.840.278.01R
Model No. : KPT-G2210B(印字)		

1. Scope

This product specification is applied to the piezoelectric sounder in alarm systems. Please contact us when using this product for any other applications than described in the above.

本规格书适用于压电式声响器，通常它用在系统中做报警或提示的声响器用，如果将该产品用于其它领域，请与我们联系。

2. General

2.1 Out-Diameter : Ø22mm

外径: Ø22mm

2.2 Height : 8 mm

高度: 8 mm

2.3 Weight : 2.5 g

重量: 2.5克

2.4 Operating Temperature range:

-20~+80°C without loss of function

工作温度: -20~+80°C

2.5 Store Temperature range:

-30~+100°C without loss of function

储藏温度: -30~+100°C

3. Electrical and Acoustic Characteristics.

Test condition : 15 ~ 35 °C , 25% ~ 85% RH , 860~1060 mbar

测试条件: 15~35 °C , 25%~85%RH , 860~1060mbar

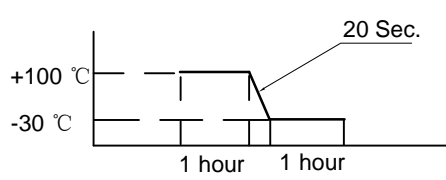
	Items 项目	Specification 规格
1	Rated Voltage 额定电压	12Vp-p Square Wave
2	Max.Allowable Voltage 最大输入电压	30Vp-p Square Wave
3	Max.Rated Current 额定电流	3mA at 4.0KHz/12Vp-p Square Wave
4	Resonant Frequency 谐振频率	4.0± 0.5KHz
5	Min.Sound Pressure Level 额定声压	88dB at 4.0KHz/12Vp-p Square Wave/10cm
6	Capacitance at 100Hz 电容量 (at 100Hz)	15000pF ± 30%
7	Case Material/Color 壳体材质/颜色	PA/BLACK

Specification for Transducer	Page	4/10
	Revision No.	1.0
	Drawing No.	KP3.840.278.01R
Model No. : KPT-G2210B(印字)		

4. Reliability Test

After test(1~7item), the transducer S.P.L. difference shall be within $\pm 10\text{dB}$, and the appearance not exist any change to be harmful to normal operation(e.g. cracks,rusts,damages and especially distortion).

在1-7项试验后，声响器的声压变化值在 $\pm 10\text{dB}$ 之内，外观无变化（例如：无开裂、生锈、损伤、变形等现象）。

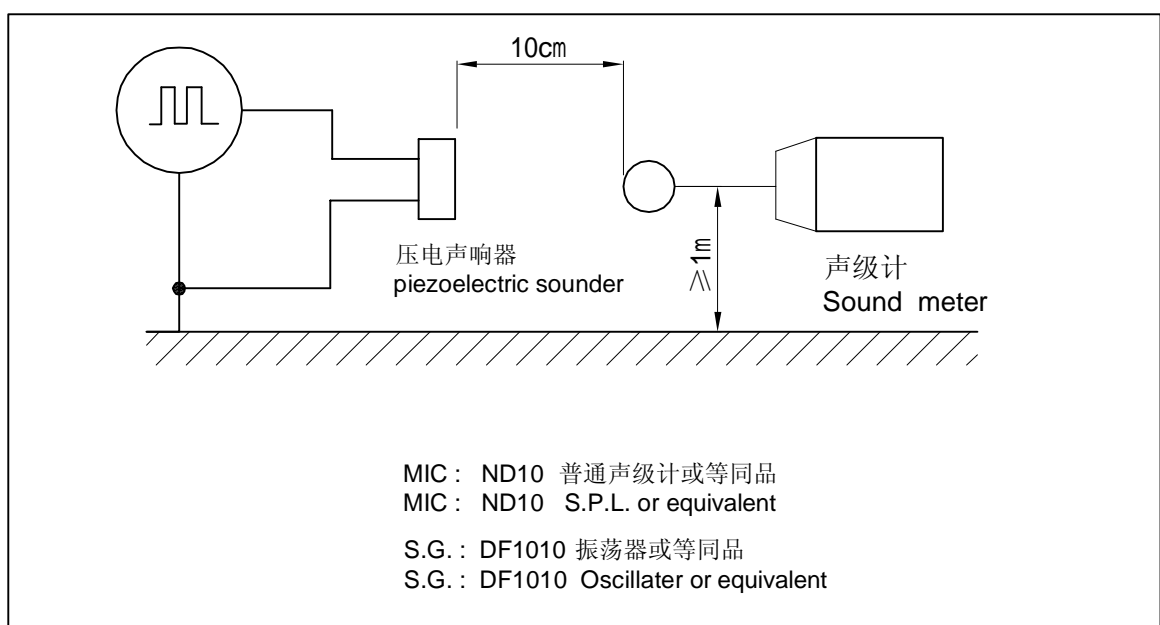
	Item	Specification
1	High Temperature Test 高温试验	<p>After being worked in a chamber with $+100\pm 2\text{ }^\circ\text{C}$ for 2h and then being placed in natural condition for 2h, sounder shall be measured.</p> <p>将产品置于 $+100\pm 2\text{ }^\circ\text{C}$ 试验箱中，先工作 2小时，然后在正常大气压条件下恢复2小时后，进行测量</p>
2	Low Temperature Test 低温试验	<p>First being worked in a chamber with $-30\pm 2\text{ }^\circ\text{C}$ for 2h and then being placed in a chamber with $-30\pm 2\text{ }^\circ\text{C}$ for 16h, finally being placed in natural condition for 2h, sounder shall be measured.</p> <p>将产品置于 $-30\pm 2\text{ }^\circ\text{C}$ 试验箱中，先工作 2小时，再放置16小时，然后在正常大气压条件下恢复2小时后，进行测量</p>
3	Humidity Test 潮湿试验	<p>After being placed in a chamber with 90 to 95%R.H. at $+40\pm 2\text{ }^\circ\text{C}$ for 2 h and then being placed in natural condition for 2h , sounder shall be measured.</p> <p>将产品置于湿度为 90-95%R.H，温度为$+40\pm 2\text{ }^\circ\text{C}$ 试验箱中 2小时，然后在正常大气压条件下恢复2小时后，进行测量</p>
4	Thermal Shock Test 热冲击试验	<p>After being worked in a chamber at $+100\pm 2\text{ }^\circ\text{C}$ for 1 hour, then sounder shall be placed in a chamber at $-30\pm 2\text{ }^\circ\text{C}$ for 1 hour(1 cycle is the below diagram).</p> <p>After 6 above cycles, sounder shall be measured after being placed in natural condition for 1 hour.</p> <p>将产品置于$+100\pm 2\text{ }^\circ\text{C}$ 试验箱中，先工作1小时，然后将产品置于$-30\pm 2\text{ }^\circ\text{C}$ 试验箱中，再工作1小时，经过6个循环后，在正常大气压条件下恢复1小时，进行测量</p> 

Model No. : KPT-G2210B(印字)	Specification for Transducer	Page	5/10
		Revision No.	1.0
		Drawing No.	KP3.840.278.01R

4. Reliability Test

	Item	Specification
5	Vibration Resistance 振动试验	Sounder shall be measured after being applied vibration of amplitude of 1.5mm with 10 to 30Hz band of vibration frequency to each of 3 perpendicular directions for 2 hour. 振幅为1.5mm, 频率为10-30Hz, 三个不同轴方向各振动2小时, 试验后进行测量.
6	Drop Test 跌落试验	Sounder packed in the carton are dropped in six direction from the height of 80cm to the concrete floor. 跌落高度80cm, 6个不同方向整箱跌落到水泥地, 试验后进行测量.
7	Solderability 可焊性试验	Lead terminals are immersed in rosin for 5 seconds and the immersed in solder bath of $+260 \pm 5^{\circ} \text{C}$ for 3 ± 0.5 seconds. 插针浸入松香5秒, 然后再浸入 $+260 \pm 5^{\circ} \text{C}$ 的锡炉中 3 ± 0.5 秒, 插针表面应覆盖一层光滑明亮的焊料.
8	Terminal Strength Pulling 插针强度试验	The force 10 seconds of 9.8N is applied to each terminal in axial direction. 插针应承受9.8N拉力, 拉力时间10秒, 插针无松动和脱落现象.

5. Measurement Block Diagram & Response curve



Model No. : KPT-G2210B(印字)

Revision No.

1.0

Drawing No.

KP3.840.278.01R

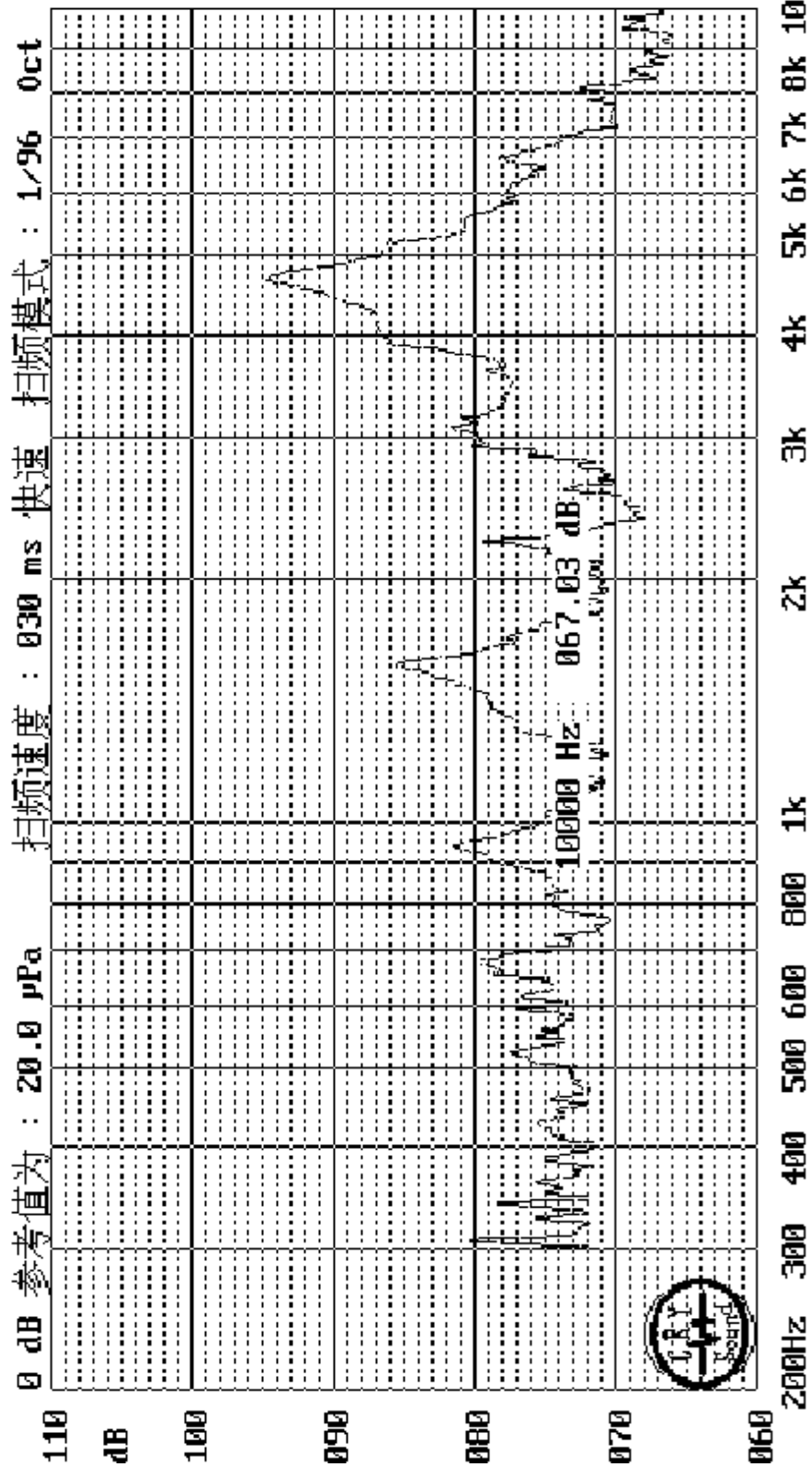
08/07/2006 16:22

CRY6125F 蜂鸣器测试仪 V86

无框 滤波器无

型号: 电压:1500 mV
 Fc= 3000 Hz 079.83 dB
 Fo= 4675 Hz 094.75 dB

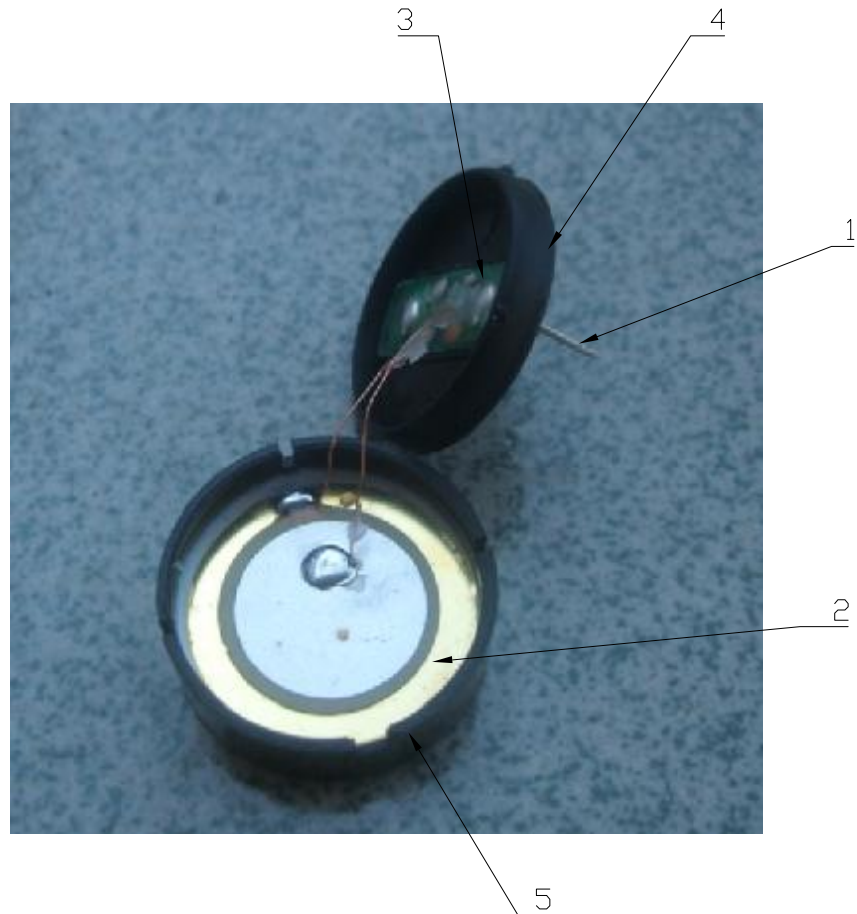
方波



1500MV/5CM

Specification for Transducer Model No. : KPT-G2210B(印字)	Page	7/10
	Revision No.	1.0
	Drawing No.	KP3.840.278.01R

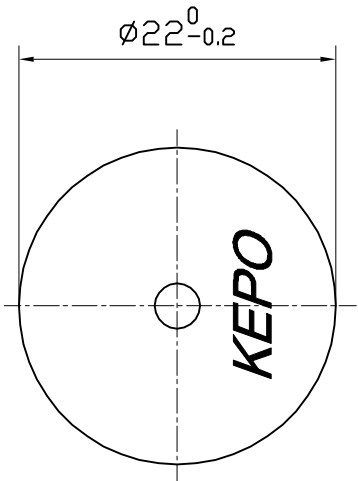
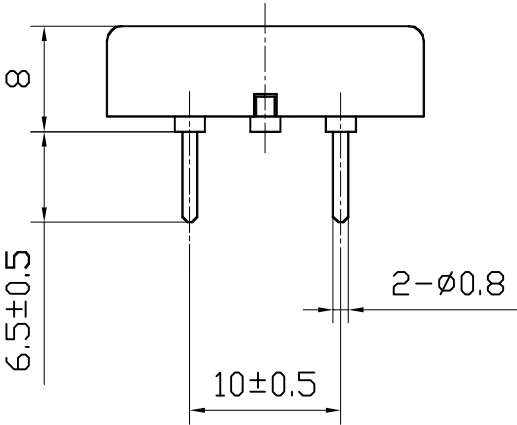
6. Structure



5	Case 壳体	1	PA	
4	Cover 后盖	1	PA	
3	PCB 印制板	1	FR-1	
2	Piezp-Element 蜂鸣片	1	H65	
			Piezo Ceramic	
1	Pin 插针	2	Qsn	
No.	Part Name 型号	Q'TY 数量	Material 材质	Remarks 备注

Specification for Transducer	Page	8/10
	Revision No.	1.0
Model No. : KPT-G2210B(印字)	Drawing No.	KP3.840.278.01R

7. Dimensions



FIRST ANGLE PROJECTION

UNIT : mm
Tolerance : ±0.5

Specification for Transducer	Page	9/10
	Revision No.	1.0
Model No. : KPT-G2210B(印字)	Drawing No.	KP3.840.278.01R

8. Packing



Picture1(100PCS)



Picture2(1000PCS)



Picture3(2000PCS)



Picture4(2000PCS)

QTY: 2000Pcs
 SIZE:450 x320 x275

