

SPECIFICATION

受 控

Customer : QUARTZ

Applied To :

Product Name : Horn Speaker


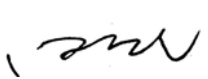

Model Name : S-G72F14R8-L200-6313

Drawing No. : KFC6313

Signature of Appronal

--

Signature of KEPO

Approved by	Checkde by	Issued by	Date
			2011-3-23



宁波凯普电子有限公司

Ningbo Kepo Electronics Co.,Ltd.

宁波东钱湖镇东钱湖工业区宝源路 25 号

TEL:+86-574-88370330 FAX:+86-574-88370329

No.25 Baoyuan road Dongqian Lake, Industry Area, Dongqian town, Ningbo City, China(Post Code:315121)

Sales@chinaacoustic.com www.chinaacoustic.com

Specification for Horn Speaker		Page	2/9
Model No.	S-G72F14R8-L200-6313	Revision No.	1.0
		Drawing No.	KFC6313

CONTENTS

1. Scope
2. General
3. Electrical and Acoustic Characteristics.
4. Reliability Test
5. Measurement Block Diagram & Response curve
6. Structure
7. Dimensions
8. Packing
9. Revision

Specification for Horn Speaker		Page	3/9
		Revision No.	1.0
Model No.	S-G72F14R8-L200-6313	Drawing No.	KFC6313

1. Scope

This specification is applied to the Siren used for sounder in alarm systems. Please contact us when using this product for any other applications than described in the above.

2. General

- 2.1 Out-Diameter : 72 mm
- 2.2 Height : 35.5 mm
- 2.3 Length : 72 mm
- 2.4 Weight : 410 g \pm 10g
- 2.5 Operating Temperature range:
-20 ~+60 °C without loss of function
- 2.6 Store Temperature range:
-20 ~+70 °C without loss of function

3. Electrical and Acoustic Characteristics.

Test condition : 15 ~ 35 °C, 25% ~ 85% RH, 860~1060 mbar

No	Items	Specification
1	Impedance	8 Ω \pm 20% (AT 1 KHz)
2	Sound Pressure Level	Min98 dB $_{1W/1m}$
3	Resonance Frequency	1400 Hz \pm 10%
4	Frequency Range	FO ~4KHz
5	Input Power	Rated 15 W / Max. 20 W
6	Magnet size	Φ 70*32*10 mm(Dia.*dia.*H)
7	Buzz and Rattle	Should not be audible buzzes,rattles when the 2.83V sine wave signal swept at frequency range.
8	Polarity	When supplied plus D.C. voltage to (+) blue line, the diaphragm must move to forward.
9	Case Material/Color	PA66/BLACK
10	Voice Coil dimension	Φ 25.4 mm(Dia.)

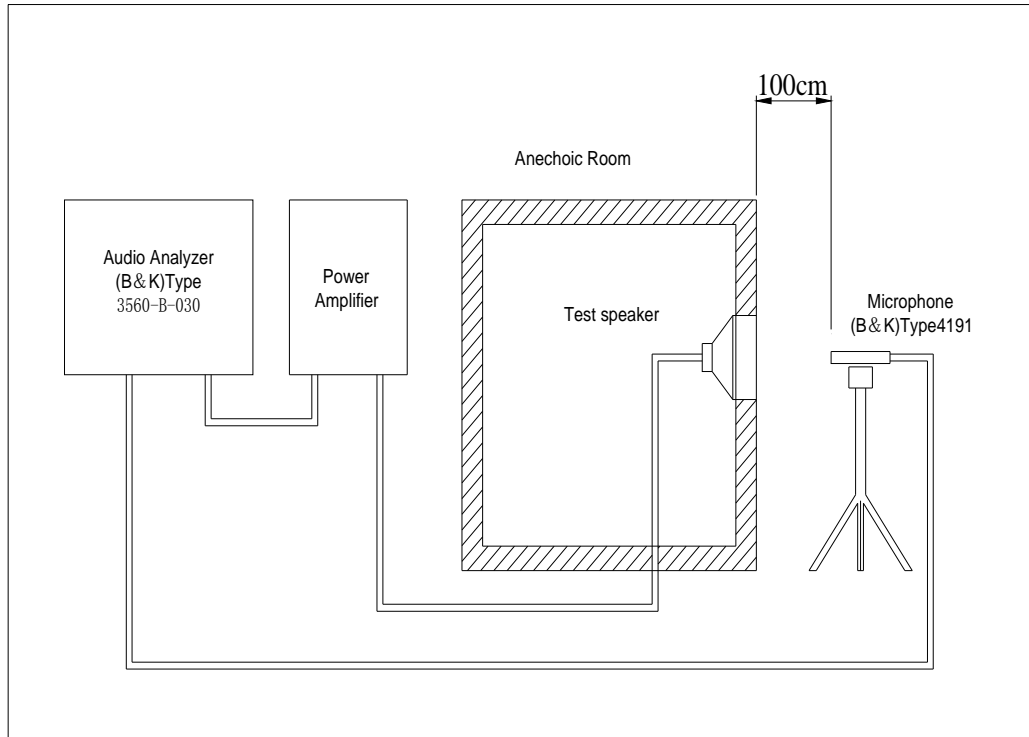
Specification for Horn Speaker		Page	4/9
		Revision No.	1.0
Model No.	S-G72F14R8-L200-6313	Drawing No.	KFC6313

4. Reliability Test

After test(1~6item), the Electronic Siren S.P.L . difference shall be within $\pm 10\text{dB}$, and the appearance not exist any change to be harmful to normal operation(e.g.cracks,rusts,damages and especially distortion).

No	Items	Specification
1	High Temperature Test	After being woked in a chamber with $+60\pm 2\text{ }^{\circ}\text{C}$ for 2h and then being placed in natural condition for 2h, sounder shall be measured.
2	Low Temperature Test	First being worked in a chamber with $-20\pm 2\text{ }^{\circ}\text{C}$ for 2h and then being placed in a chamber with $-20\pm 2\text{ }^{\circ}\text{C}$ for 16h, finally being placed in natural condtion for 2h, sounder shall be measured.
3	Humidity Test	After being placed in a chamber with 90 to 95%R.H. at $+40\pm 2\text{ }^{\circ}\text{C}$ for 2 h and then being placed in natural condition for 2h , sounder shall be measured.
4	Shock Test	Under acceleration of peak $100\text{m/s}^2(10\text{g})$ & half sine wave pulse (pulse time is 16ms)condition.run into product 1000 times continuously.
5	Vibration Test	Horn shall be measured after being applied vibration of amplitude of 1.5mm with 10to 30Hz band of vibration frequency to each of 3 perpendicular directions for 2 hour.
6	Drop Test	Horn packed in the carton are dropped in six direction from the height of 50cm to the concrete floor.

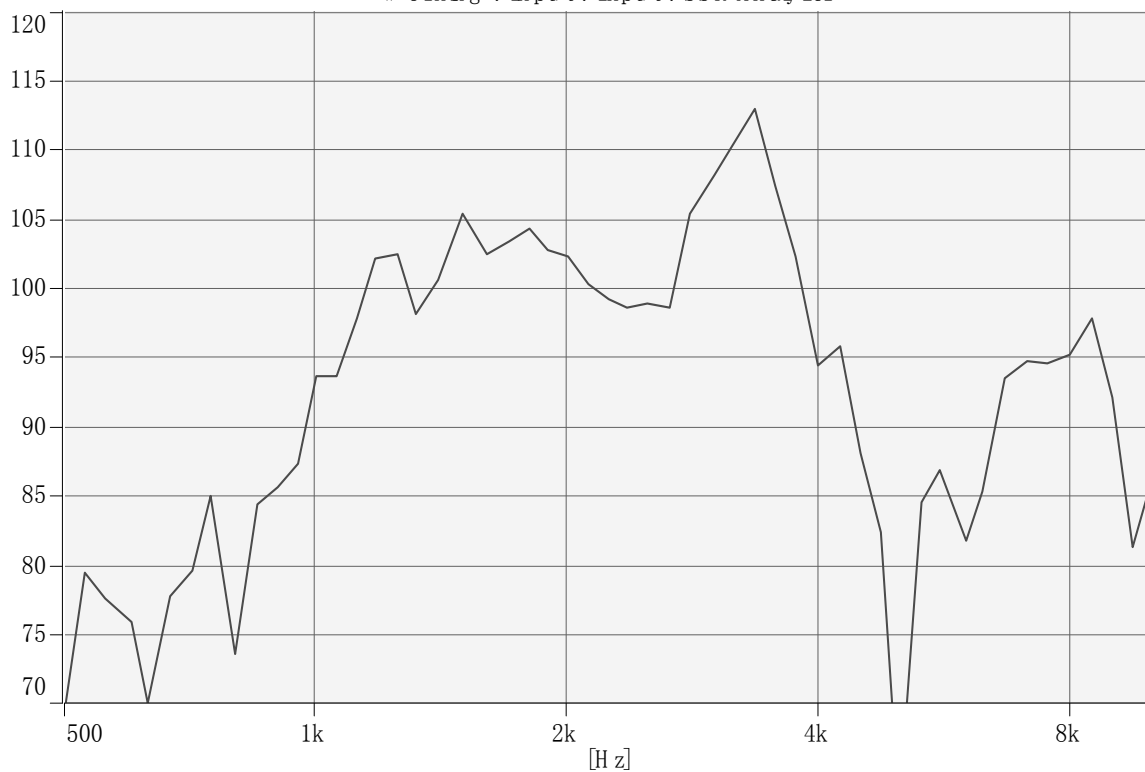
5. Measurement Block Diagram & Response curve



[dB/20.0u Pa]

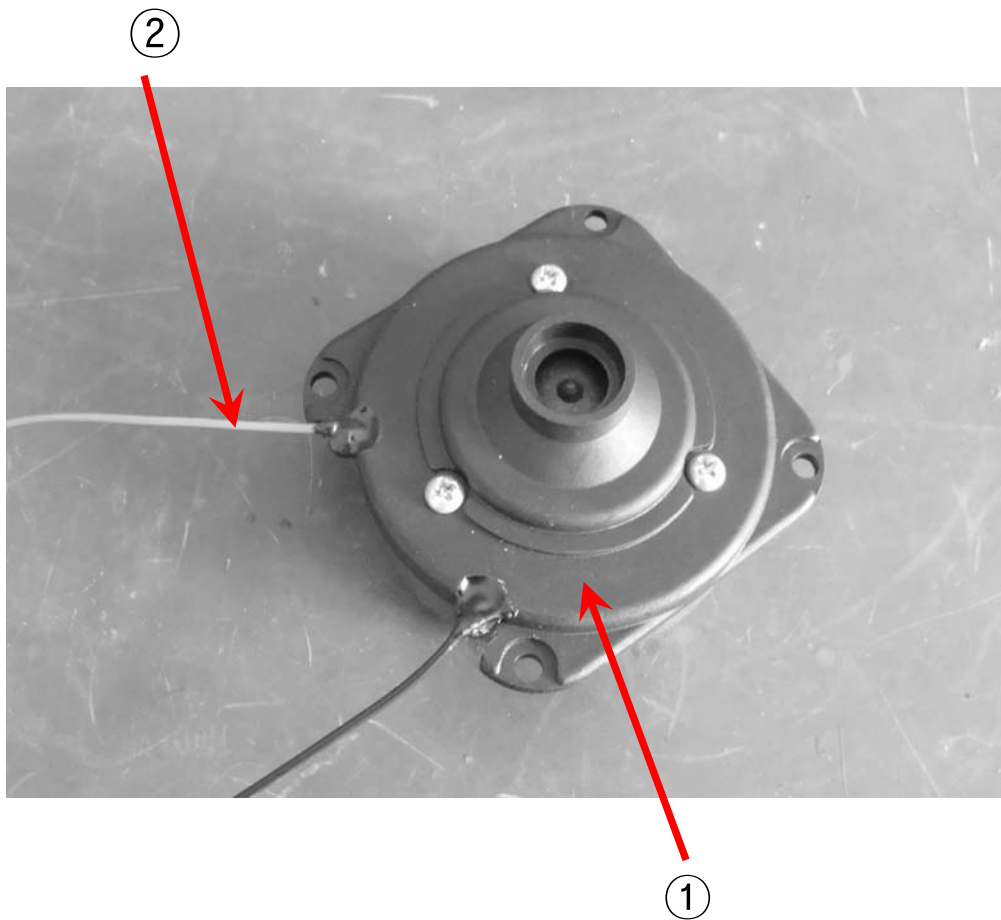
Output Response (Signal) - Input Magnitude

Working : Input : Input : SSR Analyzer



Specification for Horn Speaker		Page	6/9
Model No.	S-G72F14R8-L200-6313	Revision No.	1.0
		Drawing No.	KFC6313

6. Structure



2	WIRE	2	UL1007AWG 22# Red/Black	
1	Housing material/color	1	PA66/Black	
No.	Part Name	Q'ty	Material	Remarks

Specification for Horn Speaker

Page

7/9

Revision No.

1.0

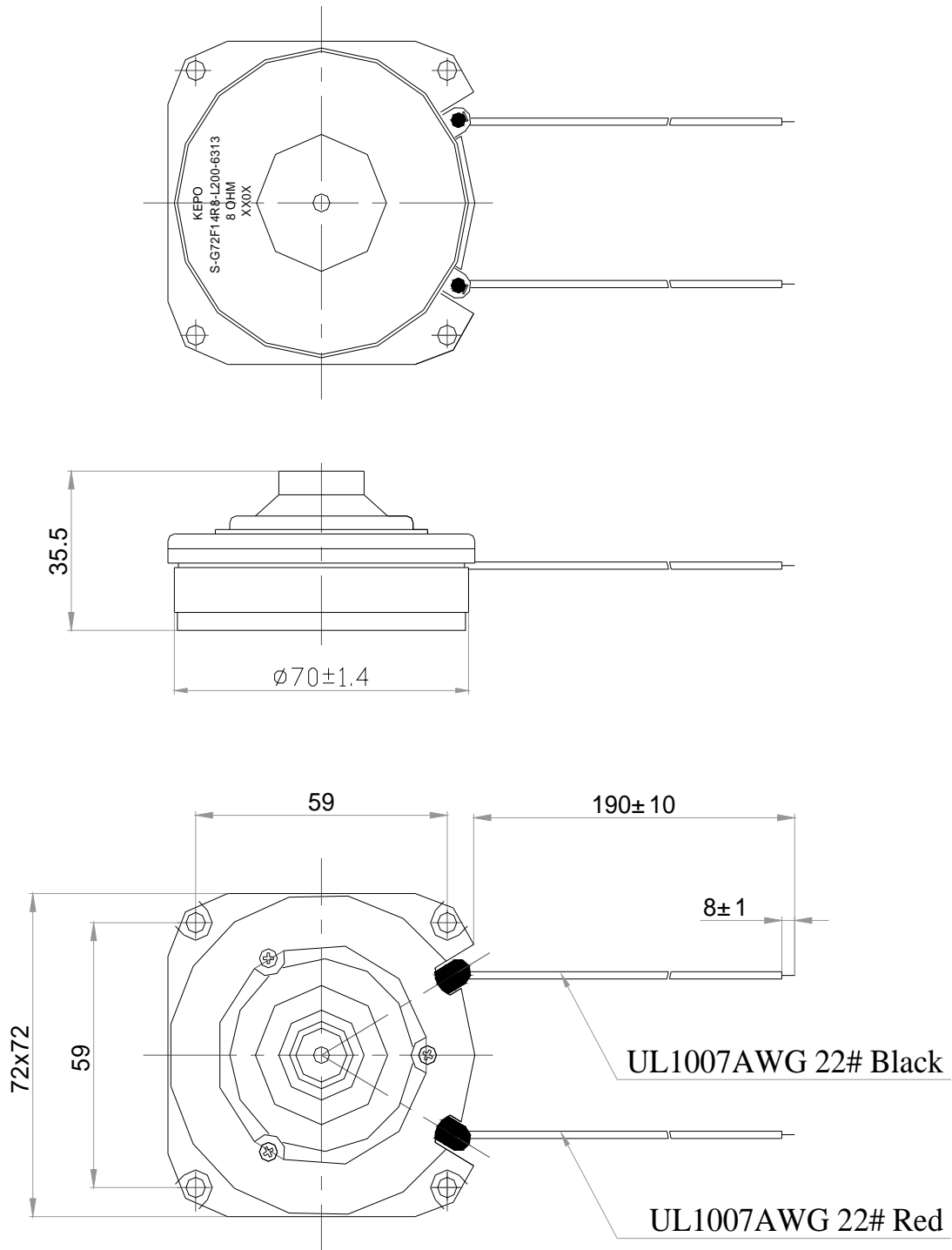
Model No.

S-G72F14R8-L200-6313

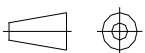
Drawing No.

KFC6313

7. Dimensions



FIRST ANGLE PROJECTION



备注：根据客户要求进行丝印。
使用标准螺丝为M5X10

UNIT : mm

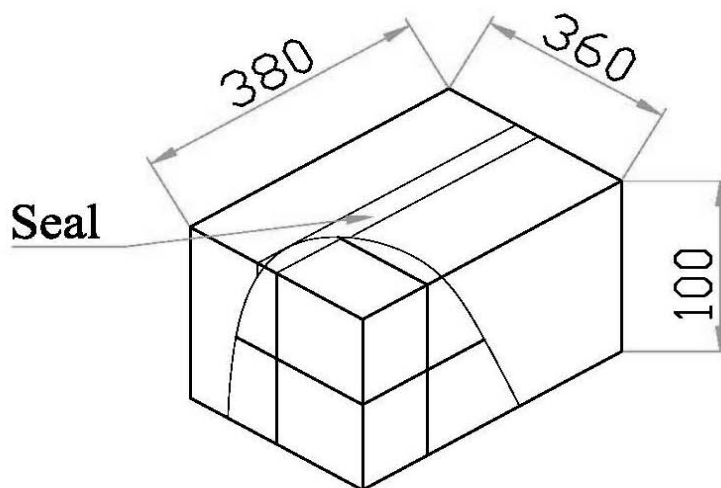
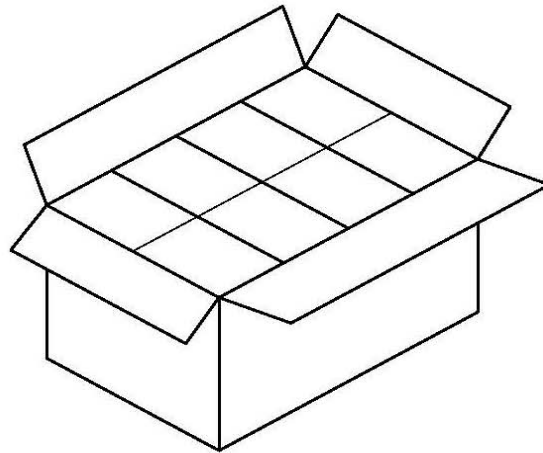
Tolerance : ± 0.5

Specification for Horn Speaker		Page	8/9
		Revision No.	1.0
Model No.	S-G72F14R8-L200-6313	Drawing No.	KFC6313

8. Packing

Each minimum package unit of products shall be in a carton box and it shall be clearly marked with Part Number ,quantity and outgoing inspection number.

There shall be no mechanical damage on products during transportation and/or in storage.



QTY: 24 PCS
380×360×100mm

