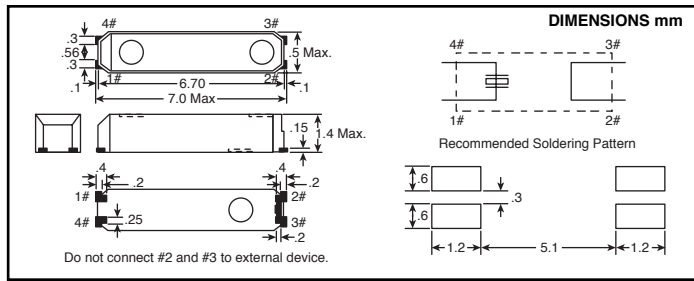


SEIKO INSTRUMENTS Tuning Fork Crystals



SSP-T7 SERIES

Seiko Instruments is an industry leader in developing miniature and thin quartz crystals using its unique photo lithographic technology. Since 1970, Seiko Instruments has produced crystals and oscillators for a variety of applications including facsimile, communications and telecommunications equipment, cellular telephones, pocket pagers, real-time clocks and electronics test and medical equipment. Outstanding reliability and miniature size with excellent shock and vibration resistance over a wide temperature range make Seiko Instruments' quartz crystals and oscillators ideal for many applications.

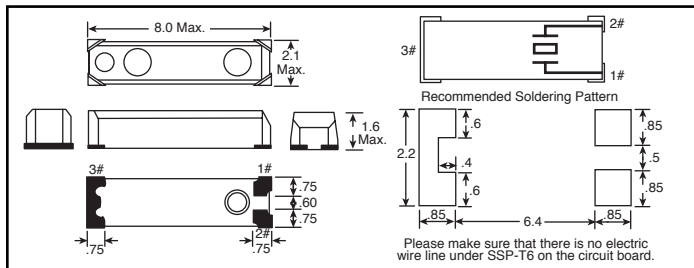


- Specifications:**
- Operating temperature range: -40°C ~ +85°C
 - Frequency tolerance: ±20ppm
 - Load capacitance: 12.5 pF
 - Equivalent series resistance: 65kΩ max.
 - Drive level: 1.0μW max.
 - Shunt capacitance: 0.8 pF typ.
 - Aging: ±3ppm max.
- Features:**
- Ultra thin type with height 1.4mm max.
 - SMD type suitable for automatic and high density surface mounting
 - Plastic mold package containing highly reliable tubular type quartz crystal
 - Excellent shock and heat resistance
- Applications:**
- Radio communications equipment
 - Portable applications
 - PDA
 - Cell phones
 - DVC
- RoHS Compliant

For quantities of 1000 and up, call for quote.

MOUSER STOCK NO.	Seiko Part No.	Frequency (KHz)	Price Each			
			1	10	100	500
628-SSPT7-F-0368	SSP-T7F-12.5PF20PPM	32.768	1.25	1.05	.95	.90

SSP-T6 SERIES

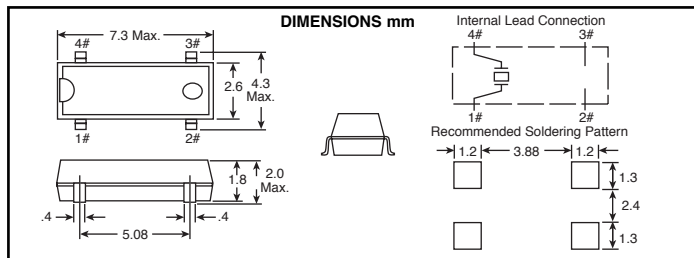


- Specifications:**
- Operating temperature range: -40°C ~ +85°C
 - Frequency tolerance: ±20ppm
 - Load capacitance: 12.5 pF
 - Equivalent series resistance: 55kΩ max.
 - Drive level: 1.0μW max.
 - Shunt capacitance: 0.95 pF typ.
 - Aging: ±3ppm max.
- Features:**
- SMD type suitable for automatic and high density surface mounting
 - Plastic mold package incorporated tubular type quartz crystal
 - Ultra thin type with height 1.6mm max.
 - Ultra small mounting area of 16.8mm²
 - Excellent shock and heat resistance
- Applications:**
- Radio communications equipment
 - Cell phones
 - Pagers
 - Portable applications
- RoHS Compliant

For quantities of 1000 and up, call for quote.

MOUSER STOCK NO.	Seiko Part No.	Frequency (KHz)	Price Each			
			1	10	100	500
628-SSPT6-0368	SSP-T6 32.768KHZ	32.768	1.00	.84	.76	.72

SSP-T3 SERIES

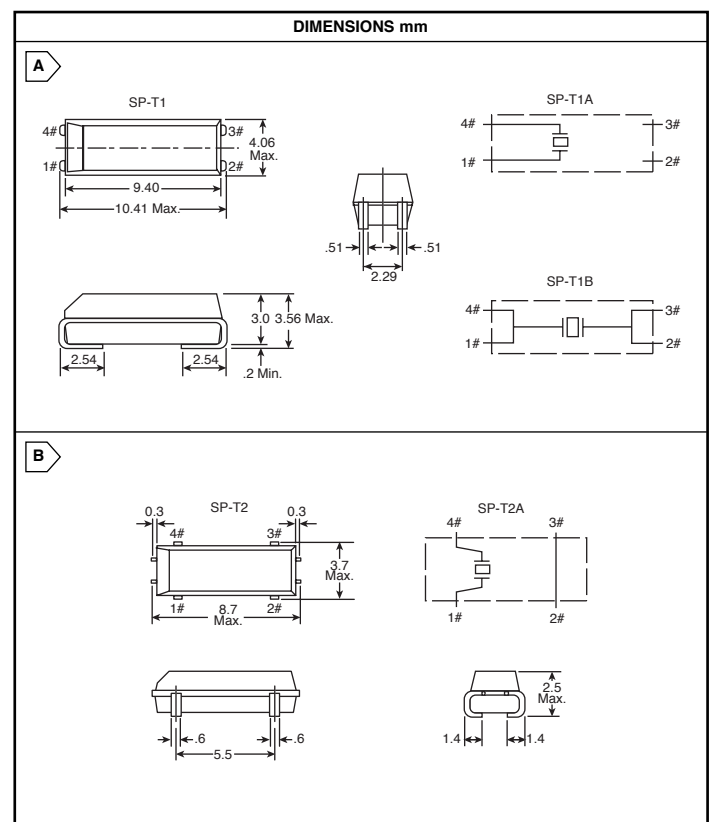


- Specifications:**
- Operating temperature range: -40°C ~ +85°C
 - Frequency tolerance: ±20ppm
 - Load capacitance: 12.5 pF
 - Equivalent series resistance: 55kΩ max.
 - Drive level: 1.0μW max.
 - Shunt capacitance: 0.9 pF typ.
 - Aging: ±3ppm max.
- Features:**
- Low height 2.0mm max
 - Plastic mold package incorporated tubular type quartz crystal
 - Suitable for automatic and high density surface mounting
 - Excellent shock and heat resistance
- Applications:**
- Radio communications equipment
 - Cell phones
 - Pagers
 - Portable applications
 - Clock source for microcomputers

For quantities of 1000 and up, call for quote.

MOUSER STOCK NO.	Seiko Part No.	Frequency (KHz)	Price Each			
			1	10	100	500
628-SPT3A-0368	SP-T3A 32.768KHZ	32.768	.88	.74	.67	.63

SP-T1A/SP-T1B/AP-2B SERIES



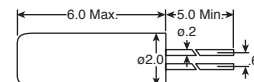
- Specifications:**
- Operating temperature range: -40°C ~ +85°C
 - Frequency tolerance: ±20ppm
 - Load capacitance: 12.5 pF
 - Equivalent series resistance: 50kΩ max.
 - Drive level: 1.0μW max.
 - Shunt capacitance: 1.0 pF typ.
 - Aging: ±5ppm max.
- Features:**
- Plastic mold package incorporated tubular type quartz crystal
 - Suitable for automatic and high density surface mounting
 - Excellent shock and heat resistance
- Applications:**
- Radio communications equipment
 - Portable applications
 - Clock source for microcomputers
 - Pagers
 - Cell phones
 - Camcorders

For quantities of 1000 and up, call for quote.

MOUSER STOCK NO.	Seiko Part No.	Fig.	Lead Connection	Freq. (KHz)	Price Each			
					1	10	100	500
628-SPT1A-0368	SP-T1A 32.768KHZ	A	SP-T1A	32.768	.80	.67	.61	.58
628-SPT1B-0368	SP-T1B 32.768KHZ	A	SP-T1B	32.768	.80	.67	.61	.58
628-SPT2A-0368	SP-T2A 32.768KHZ	B	SP-T2A	32.768	.75	.63	.57	.54

VT-200 SERIES

- Specifications:**
- Operating temperature range: -10°C ~ +60°C
 - Frequency tolerance: ±20ppm
 - Load capacitance: 12.5 pF
 - Equivalent series resistance: 50kΩ max.
 - Drive level: 1.0μW max.
 - Shunt capacitance: 0.8 pF typ.
 - Aging: ±5ppm max.
- Applications:**
- Radio communications equipment
 - Portable applications
 - Clock source for microcomputers
 - Pagers
- Features:**
- Compact tubular package
 - Photolithographic process
 - Excellent shock resistance and environmental characteristics



DIMENSIONS mm

For quantities of 1000 and up, call for quote.

MOUSER STOCK NO.	Seiko Part No.	Frequency (MHz)	Price Each			
			1	10	100	500
628-VT200-F-0368	VT-200-F 32.768KHZ	32.768	.25	.21	.19	.18